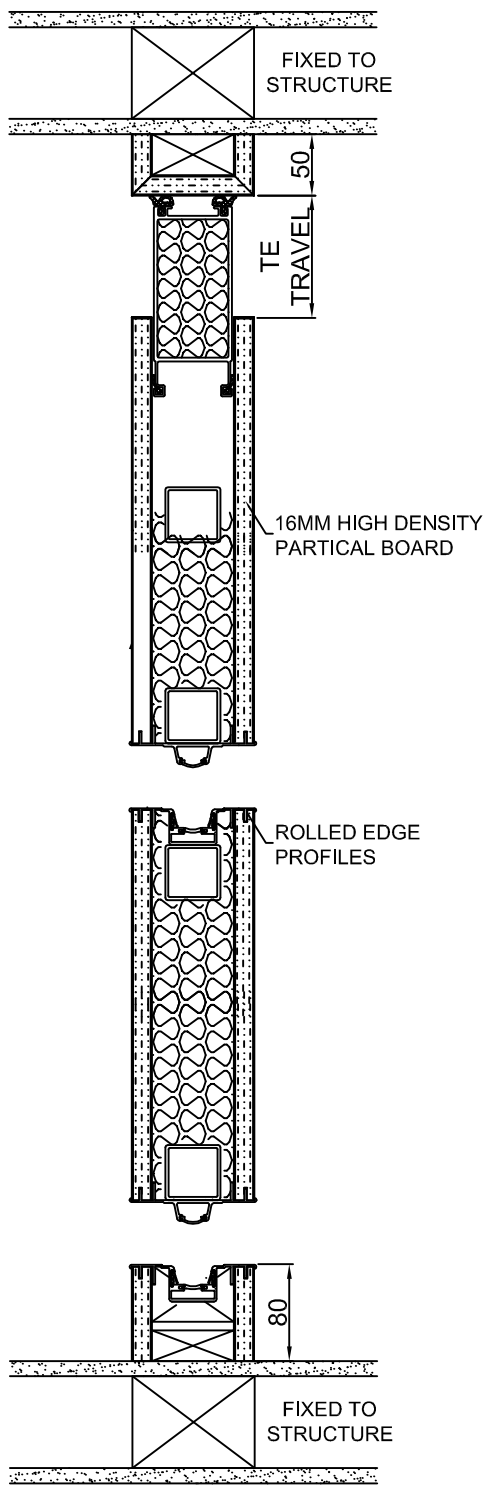
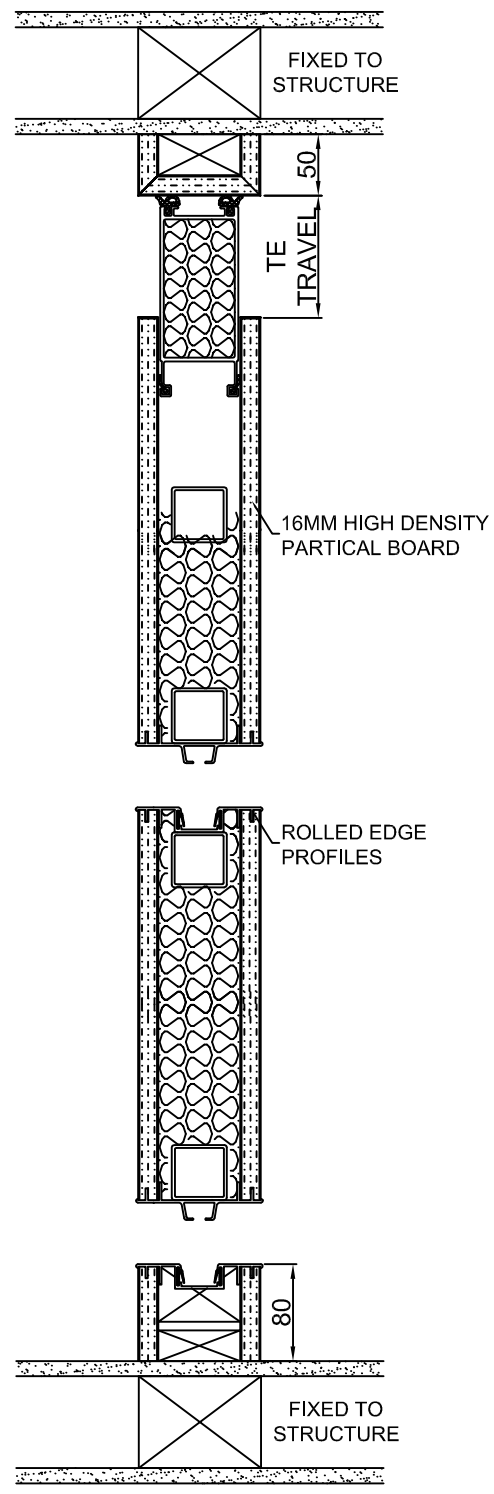


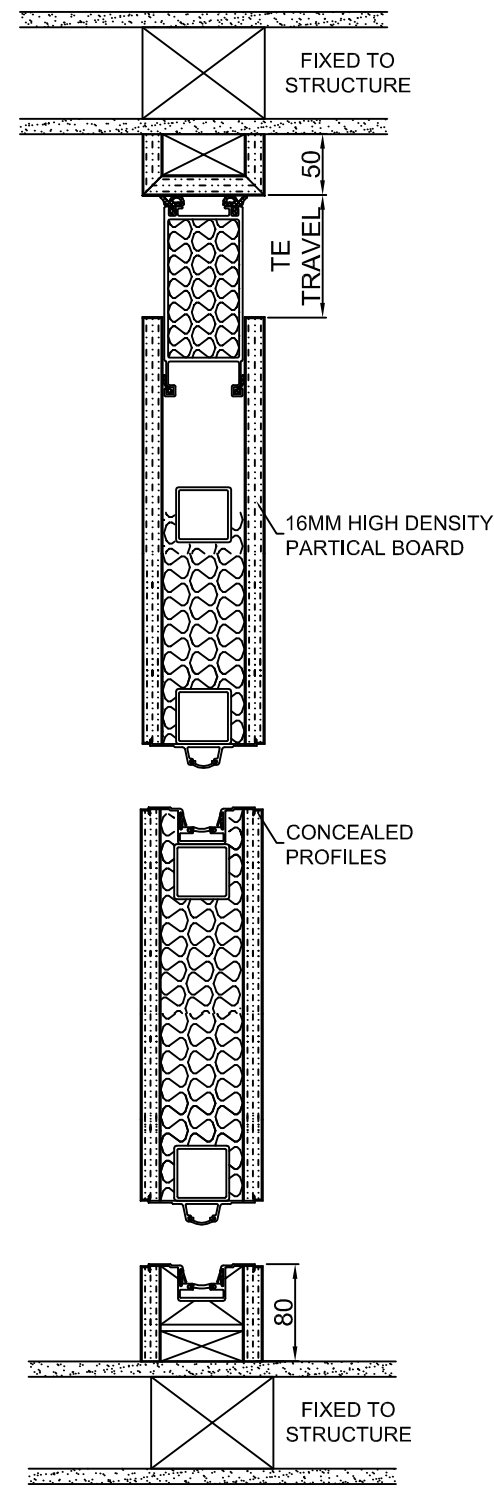
HORIZONTAL SECTION OF PREMIERWALL  
 PANEL WITH STEEL FRAME CONSTRUCTION  
 AND ROLLED EDGE PROFILES.  
 REFER TO MANUFACTURERS DETAILS.



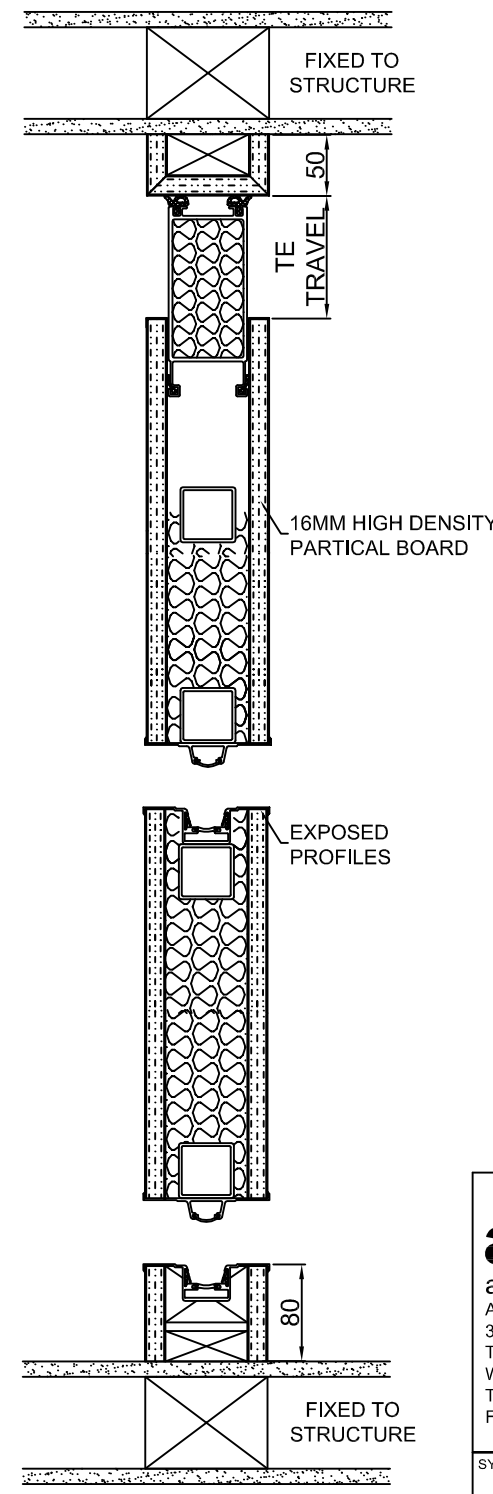
HORIZONTAL SECTION OF PREMIERWALL  
 PANEL WITH STEEL FRAME CONSTRUCTION  
 AND ROLLED EDGE PROFILES  
 INCORPORATING A MAGNETIC STRIP.  
 REFER TO MANUFACTURERS DETAILS.



HORIZONTAL SECTION OF PREMIERWALL  
 PANEL WITH STEEL FRAME CONSTRUCTION  
 AND CONCEALED EDGE PROFILES  
 INCORPORATING A MAGNETIC STRIP.  
 REFER TO MANUFACTURERS DETAILS.



HORIZONTAL SECTION OF PREMIERWALL  
 PANEL WITH STEEL FRAME CONSTRUCTION  
 AND EXPOSED EDGE PROFILES  
 INCORPORATING A MAGNETIC STRIP.  
 REFER TO MANUFACTURERS DETAILS.



**accordial**  
 acoustic movable wall systems  
 Accordial House  
 35 Watford Metro Centre  
 Tolpits Lane  
 Watford, WD18 9XN.  
 Tel: 01923 246600  
 Fax: 01923 245654

SYSTEM		ACCORDIAL PREMIERWALL	
TITLE			
PROFILE OPTIONS/ ABUTMENT DETAILS			
DATE	DRAWN BY	SCALE	
14.11.2013	DAH	NOT TO SCALE	
DRAWING NUMBER			REV
PW.002			A