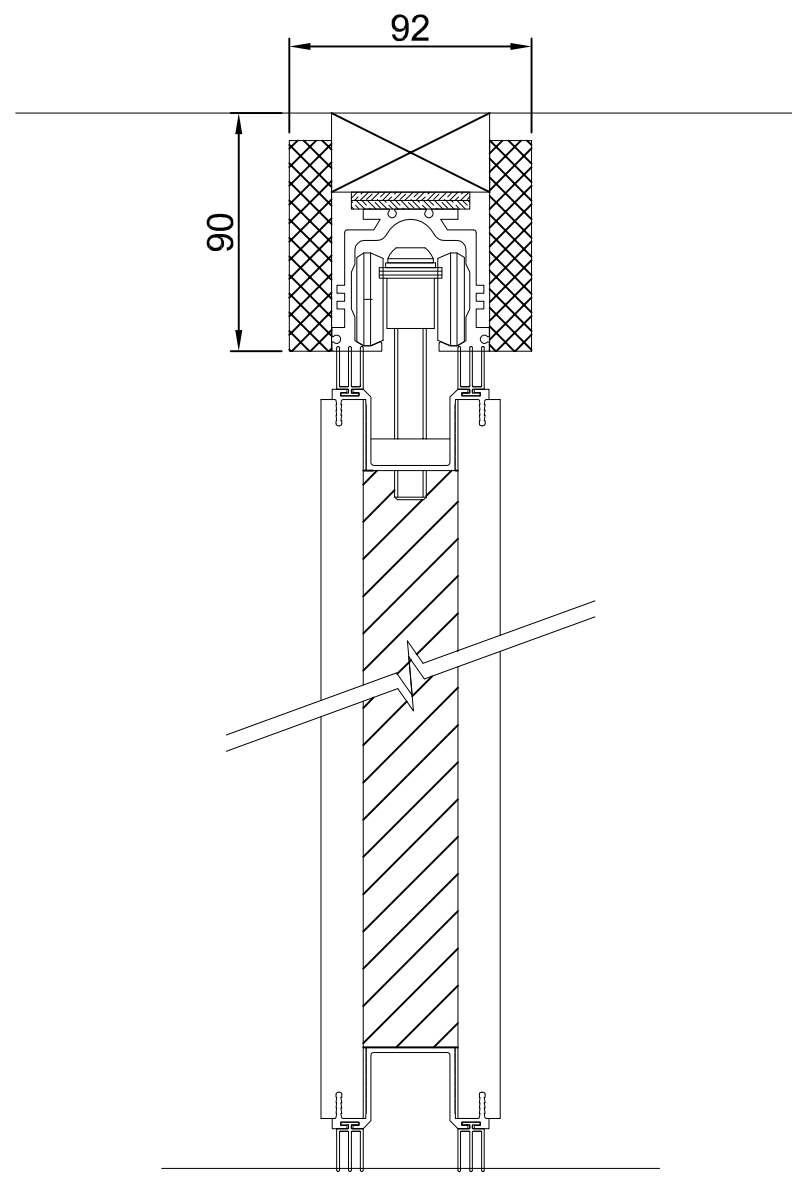
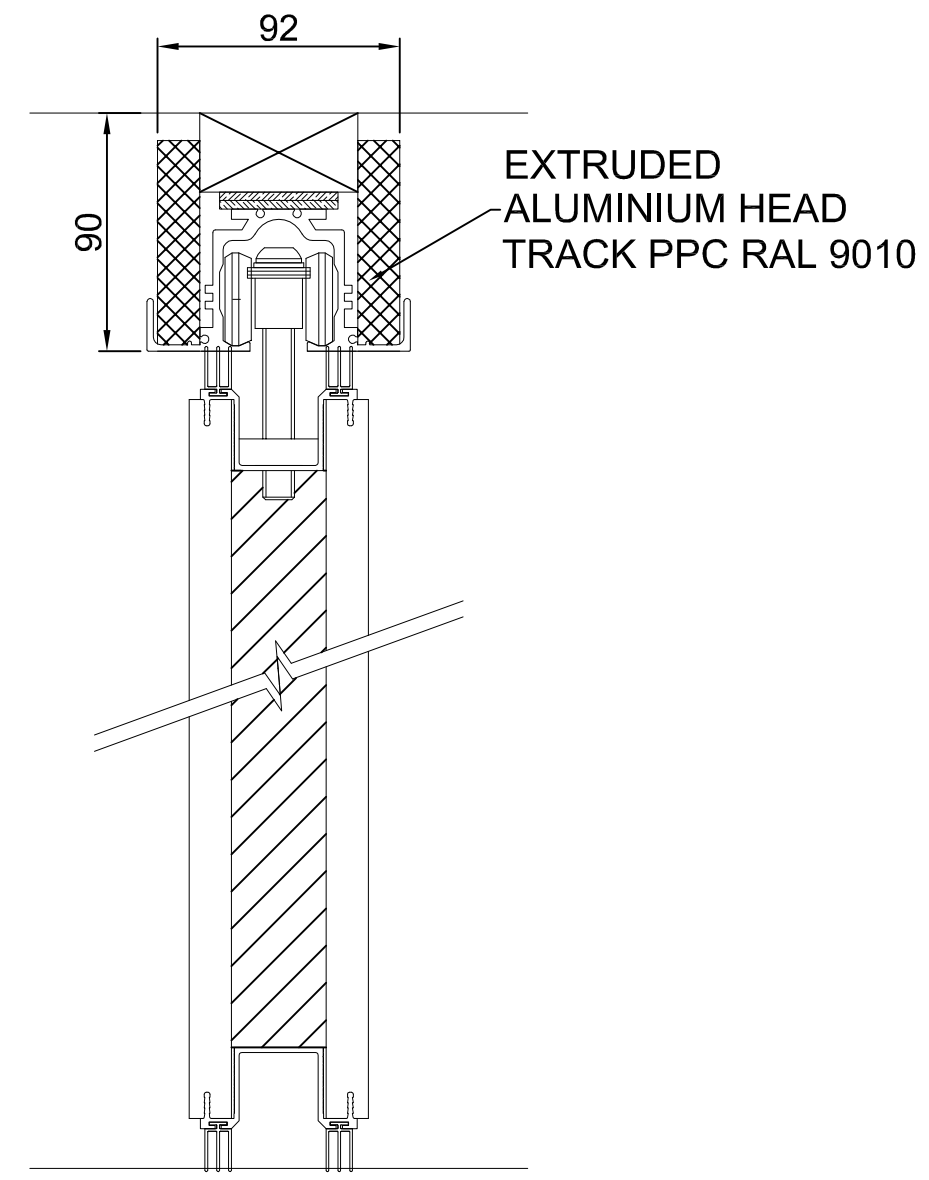


FLOOR SUPPORTED  
 - TOP GUIDE



TOP HUNG



TOP HUNG -  
 SF100 TRACK

**accordial**

acoustic movable wall systems  
 Accordial House  
 35 Watford Metro Centre  
 Tolpits Lane  
 Watford, WD18 9XN.  
 Tel: 01923 246600  
 Fax: 01923 245654

SYSTEM  
**ACCORDIAL  
 WALLSPAN**

TITLE  
**SECTION THROUGH 70MM  
 THICK SYSTEMS**

DATE 14.11.2013	DRAWN BY DAH	SCALE NOT TO SCALE
--------------------	-----------------	-----------------------

DRAWING NUMBER WS.001	REV A
--------------------------	----------