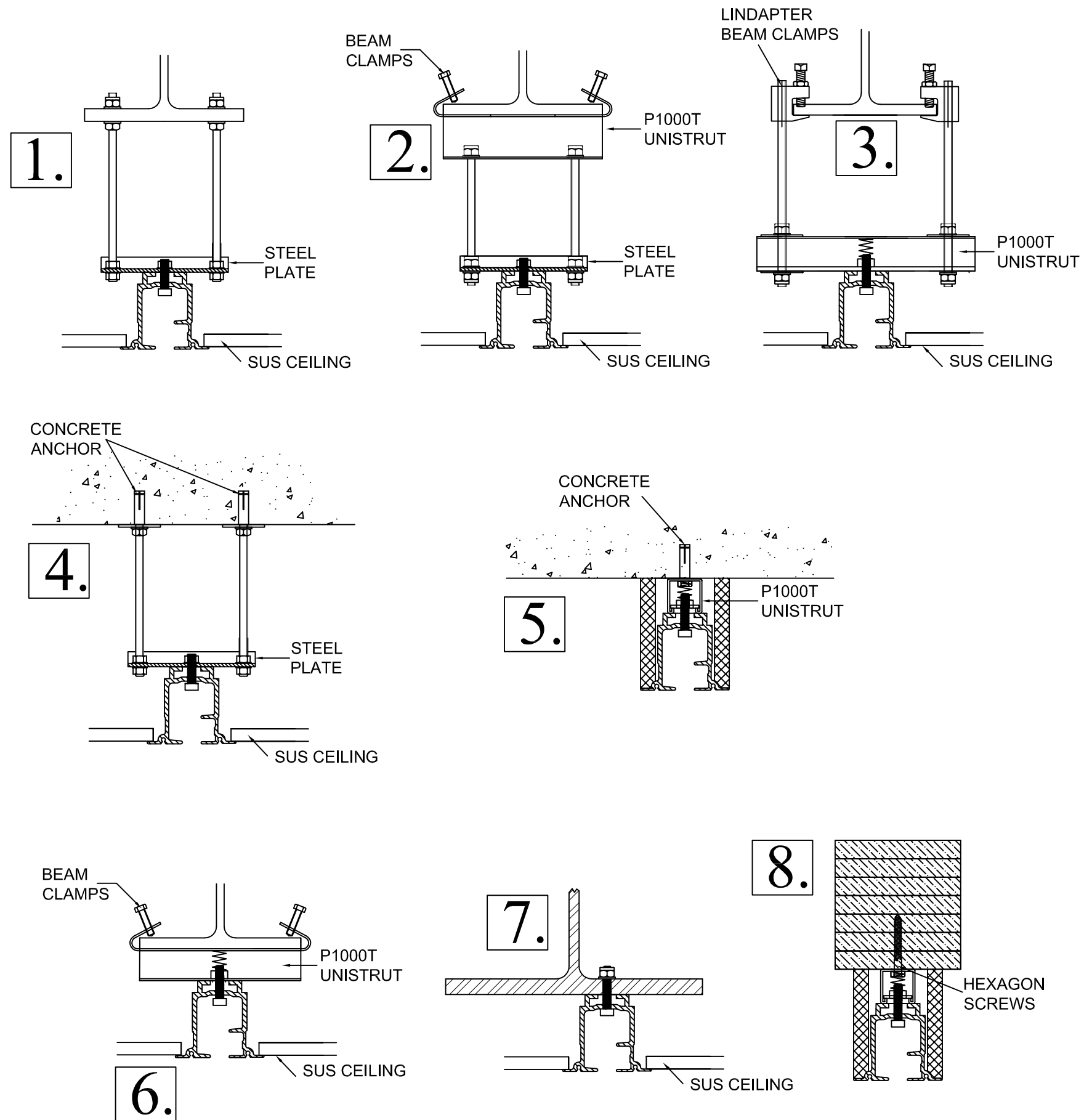


POSTION 1 REF: PW.01	FIXED TO PRE-DRILLED STEEL WITH CEILING VOID
POSTION 2 REF: PW.02	FIXED TO STEEL SUING BEAM CLAMPS WITH CEILING VOID
POSTION 3 REF: PW.03	FIXED TO STEEL USING LINDAPTER CLAMPS WITH CEILING VOID
POSTION 4 REF: PW.04	FIXED TO CONCRETE USING ANCHORS WITH CEILING VOID
POSTION 5 REF: PW.05	FIXED DIRECT TO CONCRETE USING ANCHORS WITH PELMET
POSTION 6 REF: PW.06	FIXED DIRECT TO STEEL USING CLAMPS AND UNISTRUT
POSTION 7 REF: PW.07	FIXED DIRECT TO A PRE-DRILLED STEEL
POSTION 8 REF: PW.08	FIXED DIRECT TO TIMBER BEAM WITH PELMET DETAIL



accordial
 acoustic movable wall systems
 Accordial House
 35 Watford Metro Centre
 Tolpits Lane
 Watford, WD18 9XN.
 Tel: 01923 246600
 Fax: 01923 245654

SYSTEM		
ACCORDIAL PREMIERWALL		
TITLE		
HEAD TRACK FIXING OPTIONS DOUBLE POINT ALUMINUM TRACK		
DATE	DRAWN BY	SCALE
14.11.2013	DAH	NOT TO SCALE
DRAWING NUMBER	REV	
PW.007	A	